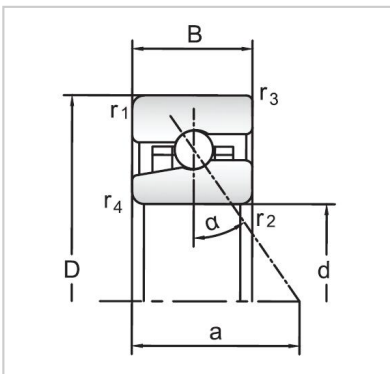


Angular Contact Ball Bearings

High speed Angular Contact Ball Bearings-H7015 AC/HC



Bearing NO.	H7015 AC/HC
Dimensions(mm)	
d	75
D	115
B	20
Basic Loading Ratings(KN)	
C	24.7
C0	20.4
Fatigue limit Pu (kN)	0.865
Calculation coefficient	-
f0	
Limiting speeds (r/min)	
Grease	17000
Oil	27 000
d1 ~	89.3
D1 ~	104.1
r1,2 min	1.1
r3,4 min	0.6
a	32
da,db min (mm)	81
Da max (mm)	109
Db max (mm)	110.8
ra max (mm)	1.1
rb max (mm)	0.6
Weight (kg)	0.59